



DOMUSLIFT®

Your personal lift





DOMUSLIFT®

www.domuslift.com

- Is quiet in operation and easy to install
- Removes architectural barriers
- Power consumption is no more than an electrical appliance
- Suits many kinds of environment
- Takes up little space
- 3 year guarantee
- 24 models for indoor and outdoor installation

DOMUSLIFT®

Free from the stairs!

DOMUSLIFT is the personal lift designed to meet the requirements of vertical mobility in public and private buildings.

DOMUSLIFT is the ideal solution for elderly and disabled people, allowing them to move independently and free from the stairs.

DOMUSLIFT is manufactured in Italy by IGV. 40 years of experience in research and development for the lift manufacturing sector.



Above:
example
of outdoor
installation with
aluminium shaft.



DomusLift is sold in more than forty countries in the world.
It enhances and decorates any environment.

DomusLift always fits the available space and satisfies your needs.

Simple and user-friendly

DOMUSLIFT can be installed just in a few days. It takes up little space and requires minimal maintenance.

DOMUSLIFT can be connected to a dedicated 230 volt electrical outlet and the installation requires limited builders work.

DOMUSLIFT is user-friendly and quiet. The documentation and planning permission required for the installation is simplified.



Domuslift can be installed outside the building without any builders work. The aluminium structure guarantees a long-life performance.

Domuslift can be installed inside an already existing building.



Right:
the new panoramic door
with wide glass panels.





Left: a Tourist Office in Holland. DomusLift offers a user-friendly and elegant solution for decorating an existing building.



Two-level bar. DomusLift modernly decorates any environment.



Domuslift is useful both for the plant and the office.

A product whose strengths are application flexibility, service capacity, aesthetic contribution.

At home or work



DOMUSLIFT careful design allows installation in any kind of new or existing building. It guarantees the best aesthetic solution and enhances and decorates houses, shops and offices.

When **DOMUSLIFT** is installed outdoors, it ensures an easy access to the building floors, without any problem for the architectural structure.

DOMUSLIFT is a modern product, conceived and manufactured in order to meet every requirement.

There is a growing number of commercial outlets choosing DomusLift for their inner mobility requirements.



Domuslift is the ideal solution for shopping centres.

At home or work,
Domuslift
makes your life easier.



A small space is all you need to enjoy the Domuslift comfort at home.
On the right an example of installation inside a small house.



Below: the brick built or concrete shaft model perfectly integrates with period home style and features.



DomusLift can be used in several ways: you can move effortlessly from the garage to the attic.

Domuslift can serve up to 5 floors, covering a drop of 12 metres.

Brick built or concrete hoistway*

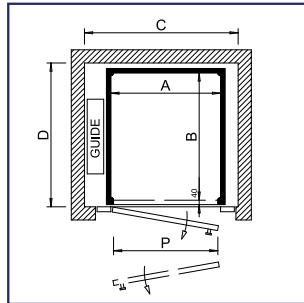
Standard models

* Clear width between shaft walls.



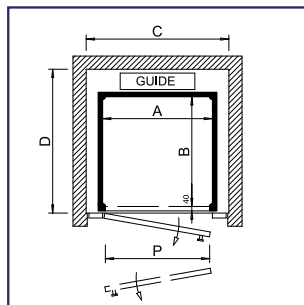
A wide range is available, with dimensions different from the standard models.

DL-1 C



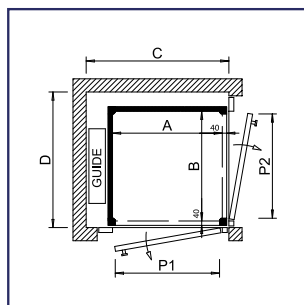
| | 1C/1 | 1C/2 | 1C/3 | 1C/4 | 1C/5 | 1C/6 | 1C/7 | |
|----|------|------|------|------|------|------|------|-------|
| A | 800 | 800 | 800 | 1000 | 1000 | 1000 | 800 | Car |
| B | 800 | 1000 | 1300 | 1300 | 1000 | 800 | 1200 | |
| C | 1200 | 1200 | 1200 | 1400 | 1400 | 1400 | 1200 | Shaft |
| D | 950 | 1150 | 1450 | 1450 | 1150 | 950 | 1350 | |
| P | 750 | 750 | 750 | 950 | 950 | 950 | 750 | Door |
| Kg | 250 | 250 | 250 | 250 | 250 | 250 | 250 | Load |

DL-1 L



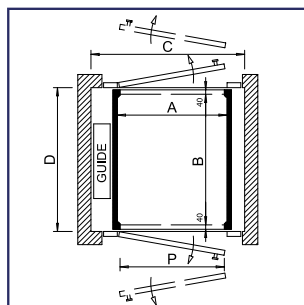
| | 1L/1 | 1L/2 | 1L/3 | 1L/4 | 1L/5 | 1L/6 | |
|----|------|------|------|------|------|------|-------|
| A | 800 | 1000 | 1300 | 1300 | 1000 | 800 | Car |
| B | 800 | 800 | 800 | 1000 | 1000 | 1000 | |
| C | 1100 | 1300 | 1600 | 1600 | 1300 | 1100 | Shaft |
| D | 1110 | 1110 | 1110 | 1310 | 1310 | 1310 | |
| P | 750 | 950 | 950 | 950 | 950 | 750 | Door |
| Kg | 250 | 250 | 250 | 250 | 250 | 250 | Load |

DL-2 A

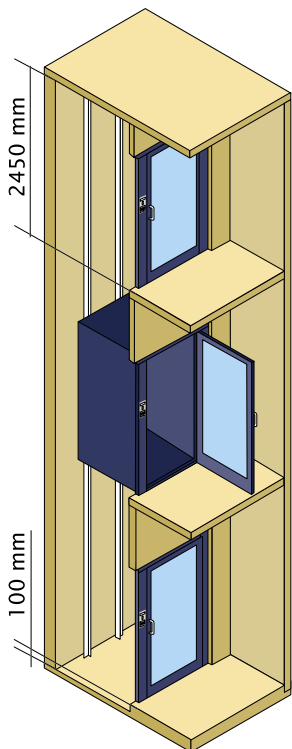


| | 2A/1 | 2A/2 | 2A/3 | 2A/4 | 2A/5 | 2A/6 | |
|----|------|------|------|------|------|------|-------|
| A | 800 | 800 | 800 | 1000 | 1000 | 1000 | Car |
| B | 800 | 1000 | 1300 | 1300 | 1000 | 800 | |
| C | 1110 | 1110 | 1110 | 1310 | 1310 | 1310 | Shaft |
| D | 1000 | 1200 | 1500 | 1500 | 1200 | 1000 | |
| P1 | 750 | 750 | 750 | 950 | 950 | 950 | Door |
| P2 | 750 | 950 | 950 | 950 | 950 | 750 | Door |
| Kg | 250 | 250 | 250 | 250 | 250 | 250 | Load |

DL-2 P



| | 2P/1 | 2P/2 | 2P/3 | 2P/4 | 2P/5 | 2P/6 | 2P/7 | |
|----|------|------|------|------|------|------|------|-------|
| A | 800 | 800 | 800 | 1000 | 1000 | 1000 | 800 | Car |
| B | 800 | 1000 | 1300 | 1300 | 1000 | 800 | 1200 | |
| C | 1200 | 1200 | 1200 | 1400 | 1400 | 1400 | 1200 | Shaft |
| D | 920 | 1120 | 1420 | 1420 | 1120 | 920 | 1320 | |
| P | 750 | 750 | 750 | 950 | 950 | 950 | 750 | Door |
| Kg | 250 | 250 | 250 | 250 | 250 | 250 | 250 | Load |



Technical data

| | |
|----------------|--------------|
| Travel | 12m max |
| Pit | 100mm min |
| Headroom | 2450mm min |
| Rated load | 250 Kg |
| No of stops | 5 max |
| Speed | 0,15 m/s max |
| Rated power | 1,1 kw |
| Supply voltage | 230 V |

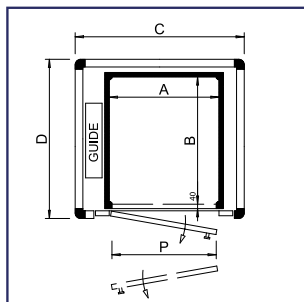
The controller and power unit (600x280x1000 mm) can be located up to 7 metres from DomusLift. Power consumption is no more than an electrical appliance.



Aluminium shaft**

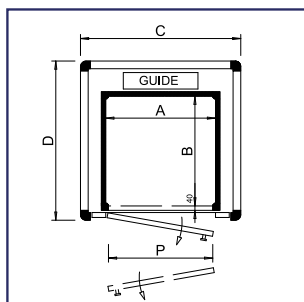
Standard models

DL-1 C



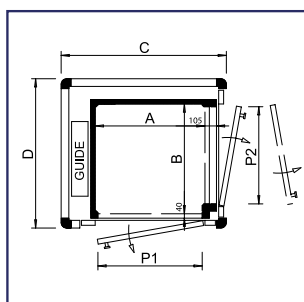
| | 1C/1 | 1C/2 | 1C/3 | 1C/4 | 1C/5 | 1C/6 | 1C/7 | |
|----|------|------|------|------|------|------|------|-------|
| A | 800 | 800 | 800 | 1000 | 1000 | 1000 | 800 | Car |
| B | 800 | 1000 | 1300 | 1300 | 1000 | 800 | 1200 | |
| C | 1345 | 1345 | 1345 | 1545 | 1545 | 1545 | 1345 | Shaft |
| D | 1070 | 1270 | 1570 | 1570 | 1270 | 1070 | 1470 | |
| P | 750 | 750 | 750 | 950 | 950 | 950 | 750 | Door |
| Kg | 250 | 250 | 250 | 250 | 250 | 250 | 250 | Load |

DL-1 L



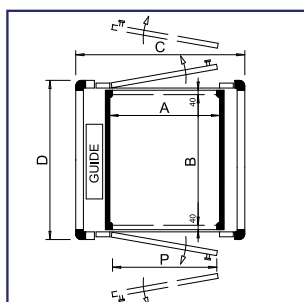
| | 1L/1 | 1L/2 | 1L/3 | 1L/4 | 1L/5 | 1L/6 | |
|----|------|------|------|------|------|------|-------|
| A | 800 | 1000 | 1300 | 1300 | 1000 | 800 | Car |
| B | 800 | 800 | 800 | 1000 | 1000 | 1000 | |
| C | 1290 | 1490 | 1700 | 1700 | 1490 | 1290 | Shaft |
| D | 1225 | 1225 | 1225 | 1425 | 1425 | 1425 | |
| P | 750 | 950 | 950 | 950 | 950 | 750 | Door |
| Kg | 250 | 250 | 250 | 250 | 250 | 250 | Load |

DL-2 A



| | 2A/1 | 2A/2 | 2A/3 | 2A/4 | 2A/5 | 2A/6 | |
|----|------|------|------|------|------|------|-------|
| A | 800 | 800 | 800 | 1000 | 1000 | 1000 | Car |
| B | 800 | 1000 | 1300 | 1300 | 1000 | 800 | |
| C | 1290 | 1290 | 1290 | 1490 | 1490 | 1490 | Shaft |
| D | 1165 | 1365 | 1665 | 1665 | 1365 | 1165 | |
| P1 | 750 | 750 | 750 | 950 | 950 | 950 | Door |
| P2 | 685 | 750 | 950 | 950 | 750 | 685 | Door |
| Kg | 250 | 250 | 250 | 250 | 250 | 250 | Load |

DL-2 P

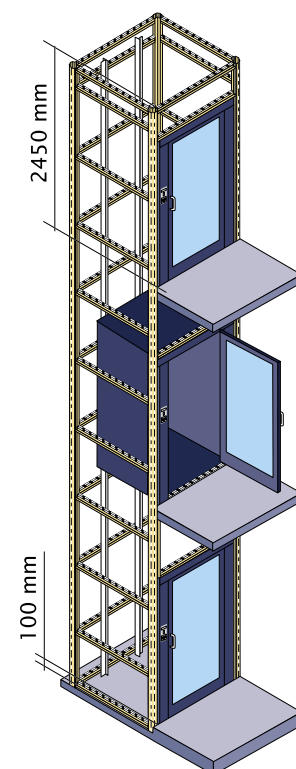


| | 2P/1 | 2P/2 | 2P/3 | 2P/4 | 2P/5 | 2P/6 | 2P/7 | |
|----|------|------|------|------|------|------|------|-------|
| A | 800 | 800 | 800 | 1000 | 1000 | 1000 | 800 | Car |
| B | 800 | 1000 | 1300 | 1300 | 1000 | 800 | 1200 | |
| C | 1345 | 1345 | 1345 | 1540 | 1545 | 1545 | 1345 | Shaft |
| D | 1040 | 1240 | 1540 | 1540 | 1240 | 1040 | 1440 | |
| P | 750 | 750 | 750 | 950 | 950 | 950 | 750 | Door |
| Kg | 250 | 250 | 250 | 250 | 250 | 250 | 250 | Load |

** Fixing of at least 3 uprights at pit, headroom and each floor level.



DomusLift requires a pit of 100 mm or an access ramp. A headroom of 2450 mm is enough for tackle ram system and of 2350 mm for telescopic ram.



The DomusLift lifting platform complies with the Machinery Directive (98/37/EC) and with all essential law requirements.

New accessories:

- voice synthesiser
- MOX® alarm device
- car display
- gong

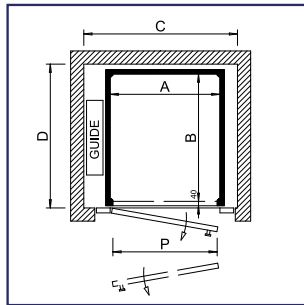
The XL model has been developed to:

- "fit" car and travel dimensions not available with the conventional model
- increase the platform maximum load
- use glass panels on all car walls (except for car sling wall) and for cars with greater dimensions

Concrete hoistway

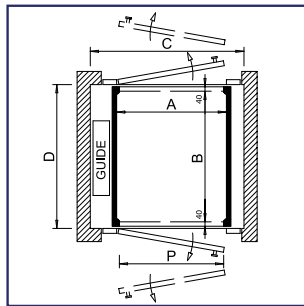
Standard models

DL-1C/XL



| 1C/XL | | |
|-------|---------|-------|
| A | 1100 | Car |
| B | 1400 | |
| C | 1500 | Shaft |
| D | 1550 | |
| P | 900 | Door |
| Kg | 340/400 | Load |

DL-2P/XL



| 2P/XL | | |
|-------|---------|-------|
| A | 1100 | Car |
| B | 1400 | |
| C | 1500 | Shaft |
| D | 1520 | |
| P | 900 | Door |
| Kg | 340/400 | Load |

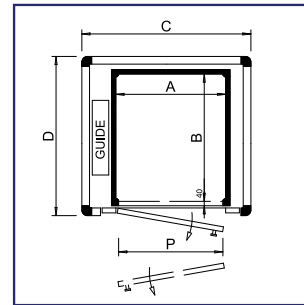
Technical data

| | |
|-------------|------------------------------|
| Travel | 15m max |
| Pit | 120mm min |
| Headroom | 2500mm min |
| Load | 400 Kg max (standard model) |
| Load | 600 Kg max (special model) |
| No of stops | 6 max |
| Speed | 0,15 m/s max |
| Rated power | 2.2 kW for 400kg load models |
| Jack | 1 or 2 pieces |

Aluminium shaft*

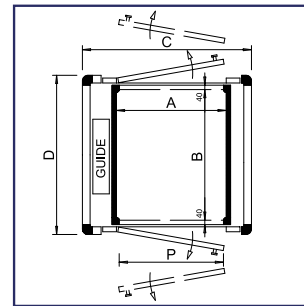
Standard models

DL-1C/XL



| 1C/XL | | |
|-------|---------|-------|
| A | 1100 | Car |
| B | 1400 | |
| C | 1630 | Shaft |
| D | 1660 | |
| P | 900 | Door |
| Kg | 340/400 | Load |

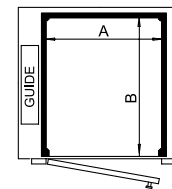
DL-2P/XL



| 2P/XL | | |
|-------|---------|-------|
| A | 1100 | Car |
| B | 1400 | |
| C | 1630 | Shaft |
| D | 1640 | |
| P | 900 | Door |
| Kg | 340/400 | Load |

* The aluminium shaft solution with this model must undergo IGV Technical Office's approval.

Maximum car dimensions:



- A 1200mm max
- B 1500mm max

Cabinet dimensions with power unit and controller:

- 720 x 360 x h. 1500 mm (closed), 720 x 1050 x h. 1500 mm (open) for travels up to 12 m
- 950 x 400 x h. 1850 mm (closed), 950 x 850 x h. 1850 mm (open) for travels > 12 m

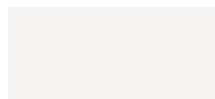
Glass car panel available for all car walls (car sling side excluded) and maximum load dimension of 1500 mm.

Colours and accessories

The colour of the original material may differ from that shown below

CAR WALLS

Skinplate



A4



V1



A19SMA



R8SME



B1



B5V

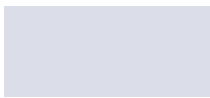


F2SM

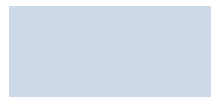
Coated chipboard



813



418

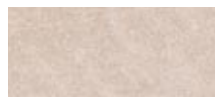


853



443

Plastic laminate



2569



1834



1835

Stainless steel



Mirror 128



Satin 127



132



145



150



131

Glass



Transparent



Smoked



Mirror

CAR FLOORS

Marmoleum



3182



3163



3123

Granit



D18



BX54



BX55

CAR PROFILES, DOORS AND STRUCTURES

RAL paint



5023



5011



6010



3003



9010

Aluminium



Natural anodized

DOORS



B - PANORAMIC ALUMINIUM

Aluminium profile door with wide glass panels.

FINISHES

- anodised aluminium
- RAL painted



C1 - BLIND

Firerated doors type:

- C2 - REI 60
- C3 - REI 120
- C4 - BS476
- C5 - BELGIUM

Steel door.

FINISHES

- primed
- RAL painted



D - VISION PANEL

Steel and glass door.

FINISHES

- primed
- RAL painted



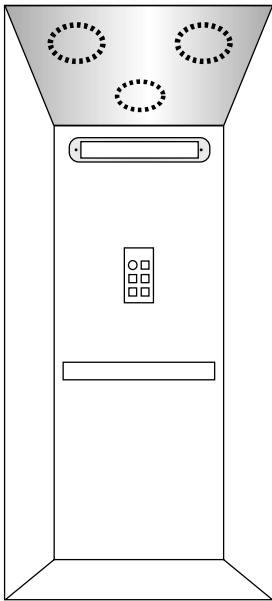
E - PANORAMIC IRON

Steel and glass door.

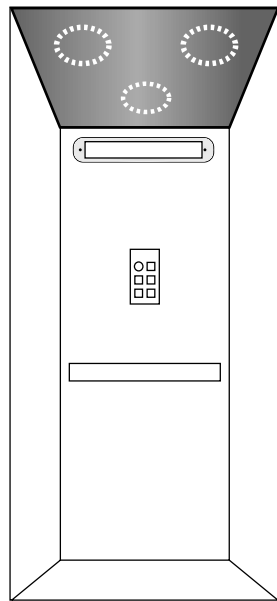
FINISHES

- primed
- RAL painted

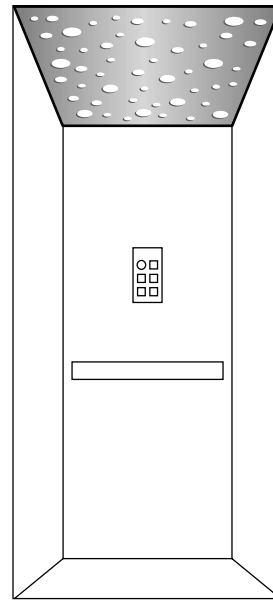
CAR LIGHTINGS



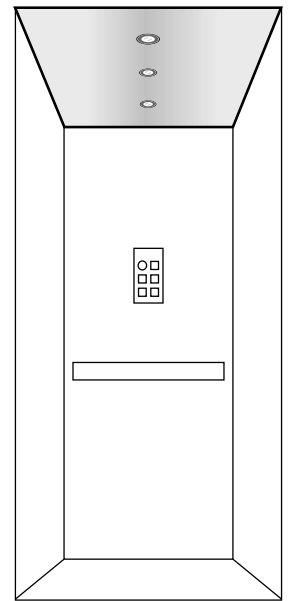
White



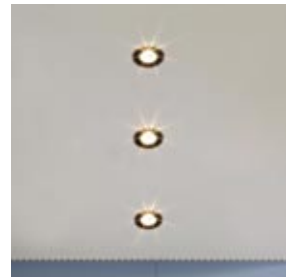
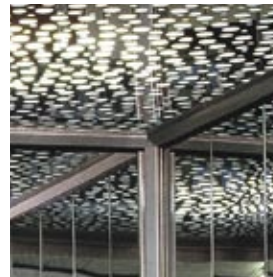
Black



Firmament



Spotlights



HANDRAIL



Standard

PUSH BUTTON PANELS



Standard

Handrail-integrated push button panel



DOOR HANDLE



Standard



IGV quality

DOMUSTAIR®



The Domus range currently including DOMUSLIFT, DOMUSTAIR, DOMUSPLAT and DOMUSDOOR, is the IGV solution for any mobility requirement both in private and public buildings. IGV cares about people and operates in order to improve the quality of life and work efficiency.

DOMUSPLAT®



IGV products are characterised by three key words: functionality, simplicity and safety. The wide range of solutions can be quickly installed and offers quality and a prompt and careful maintenance service.

The products are user-friendly because they are designed to remove architectural barriers, not to introduce additional barriers.

Safety is guaranteed by the compliance with most of the lift standards, which are stricter than the machinery standards, to which the Domus products formally comply.

DOMUSDOOR®



The partnership between IGV and qualified companies is a basic policy of the company in order to ensure that IGV's customers have "state of the art" products in terms of technology, product life, reliability and safety.



IGV spa

certified by:



member of:



The **DOMUSLIFT**[®] company



IGV, one of the leading manufacturing lift companies in Europe.

- Founded in 1966
- ISO 9001 certified since 1993
- 20,000 square metres of factory space
- 200 employees

IGV premises, Vignate - Milan, Italy





IGV spa

Via Di Vittorio, 21
20060 Vignate, Milan - Italy
Tel. +39 02 951271
Fax +39 02 9560423
www.igvlift.com
www.domuslift.com
igvmail@igvlift.com

Lifts since 1966

